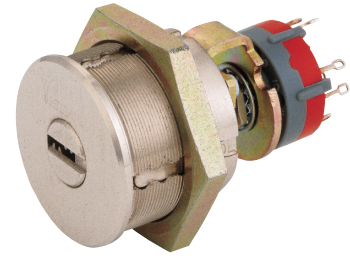


# Switch Lock for Alarm System



## Application

Key control for electrical circuits for alarm systems.

## Operation

See Table.

## Materials

Body, plug and ring: brass  
 Cam: steel  
 Pins: nickel silver and stainless steel

## Standard finishes

Nickel satin, brass

## Cylinder mechanism

Mul-T-Lock's unique, high precision pin tumbler system. Pick and drill resistant for High Security needs.

## Keys

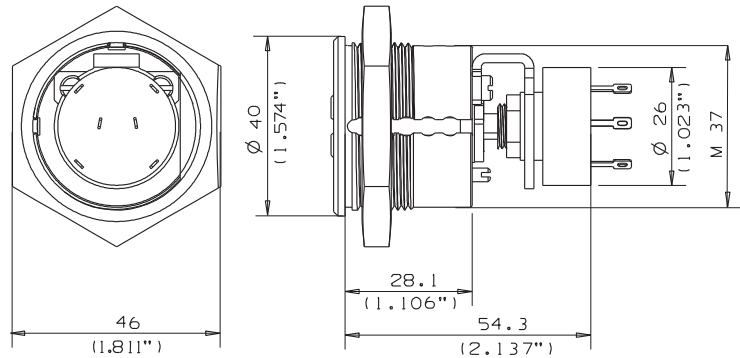
Reversible nickel silver key with plastic key head and colored insert for identification. Also available in all nickel silver.

## Cylinder options

- Classic, Interactive® platforms
- Keyed different, keyed alike
- Master keyed
- '3 IN 1' (changeable combination)

## Standards

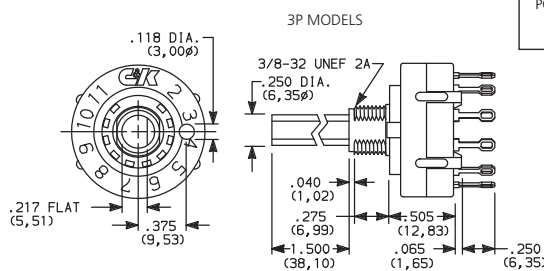
UL437, ISI 950



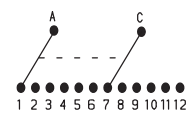
LOCKS

Key rotation	90°
Key removal	0°, 90°
Option	2 or 4 positions

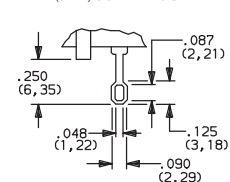
30° INDEXING			
NO. POLES	MODEL NO.	SWITCH FUNCTION	TERMINALS
DP	A204	4 Position	A,C,1,4,7-10
90° INDEXING			
NO. POLES	MODEL NO.	SWITCH FUNCTION	TERMINALS
DP	A214	2 Position	A,C,1,4,7,10



DP MODELS SCHEMATIC

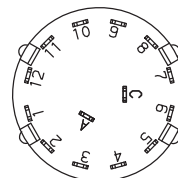


(STD.) SOLDER LUG



TERMINAL NUMBERS

Terminal numbers molded on bottom of housing.



## Switch specifications

Type: C&K components 204, 214  
 Switch: 2.5 AMPS @125 VAC;  
 350 mA @ 125 VDC (UL/CSA)  
 Carry: 5 AMPS continuous  
 Electrical life: 15,000 make-and-break cycles at full load up to 300,000 detente operations  
 Insulation resistance: 10<sup>9</sup>  $\Omega$  min  
 Dielectric strength: 1,000 VRMS min @ sea level  
 Contact resistance: Below 20 m $\Omega$  typ. Initial @ 2-4 VDC, 100 mA

[www.mul-t-lock.com](http://www.mul-t-lock.com)

