

# Lock 700 Model

## 3-way Multipoint Rim Lock

### Application

Heavy duty multipoint (3-way) rim lock with latch functionality. Suitable for 1.5 to 2.5 meter doors. Right-Hand or Left-Hand installation. Push or pull installation.

### Operation

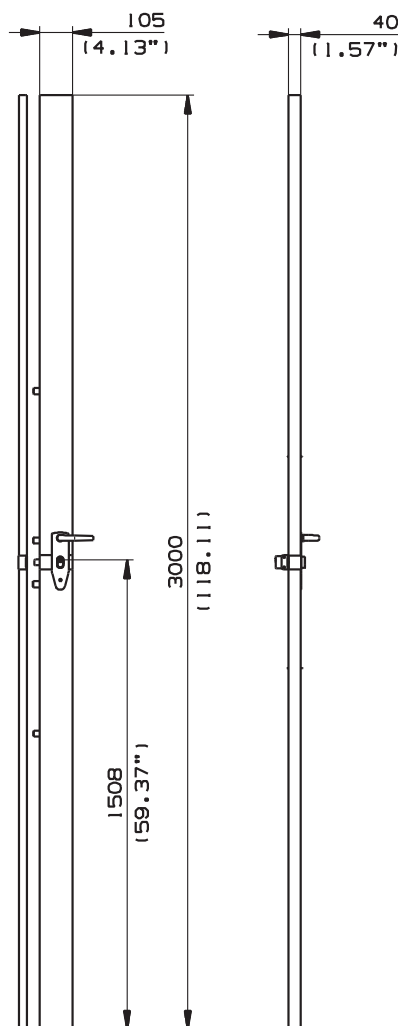
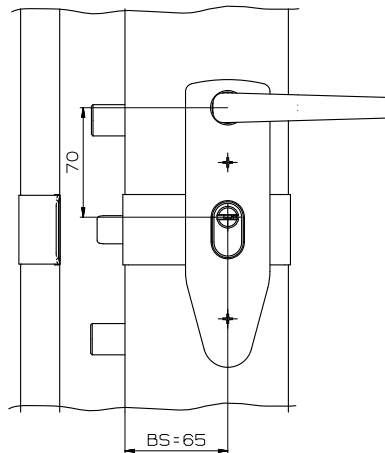
Equipped with Mul-T-Lock cylinder. 360° key rotation for dead bolt action and additional travel for latch action. Latch is reversible for Left-Hand and Right-Hand.

### Materials

Case, mechanism, covers and frame: steel.  
Bolts: steel (optional hardened).  
Cylinder protector: hardened steel.

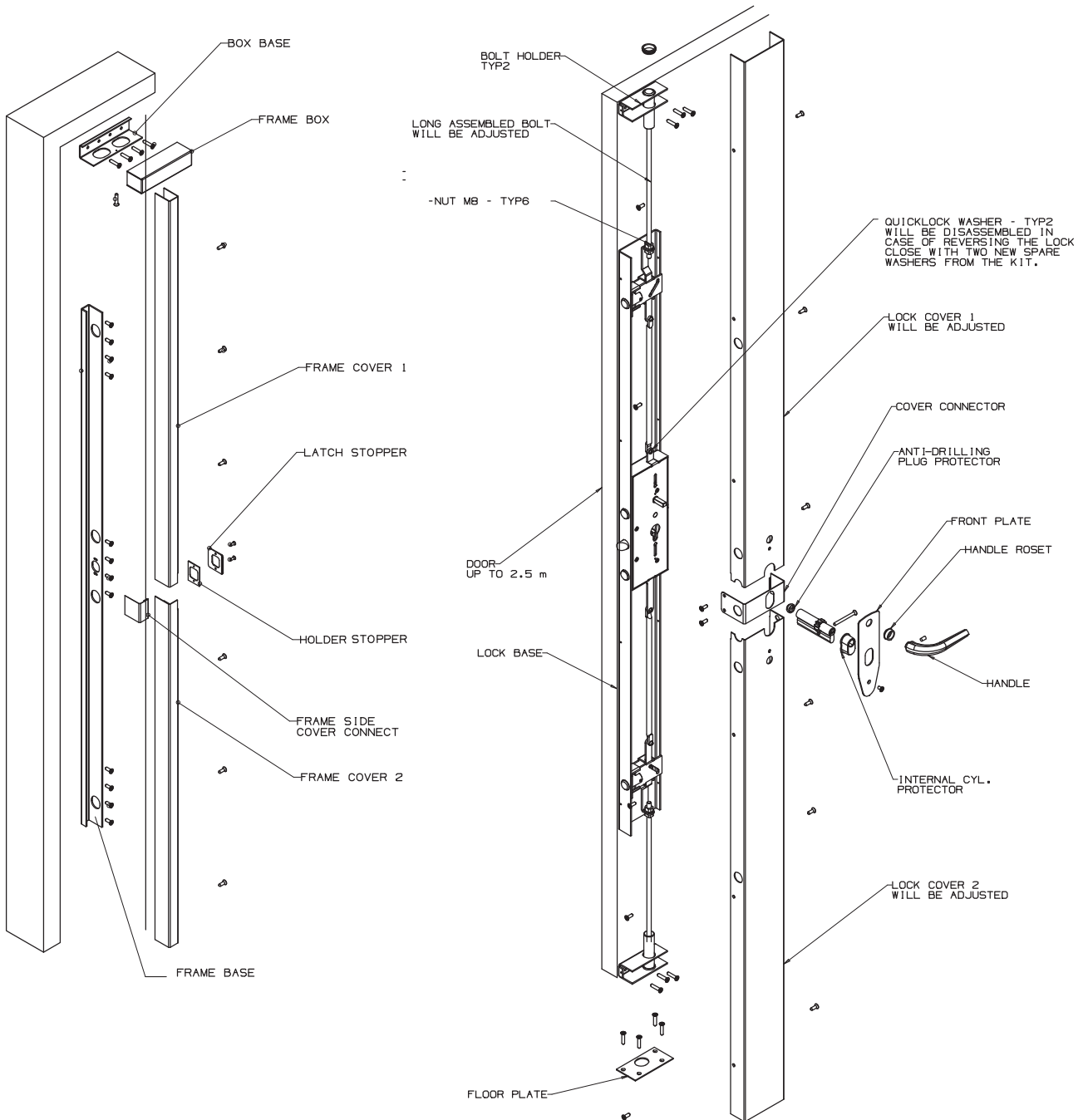
### Standard

A2P★



# Lock 700 Model

## 3-way Multipoint Rim Lock



Multipoint Locks