

# G-Series Padlock 47, 55, 60

## All-purpose Security

### Low Upper Body



#### Application

General use.

#### Operation

Rotate key 90° to unlock.

#### Options

Satin chrome finish

#### Materials

Body: Brass

Shackle: hardened boron alloy steel

Cylinder body, plug and pins: brass

#### Additional features

- High corrosion resistance
- Hammering resistance

#### Cylinder mechanism

Mul-T-Lock's unique high precision pin tumbler system. Pick and drill resistant for High Security needs.

#### Keys

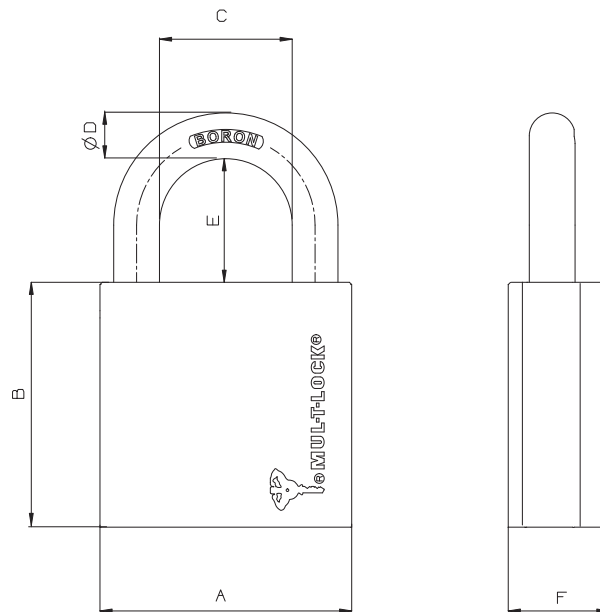
Reversible nickel silver key with plastic key head and colored insert for identification.

#### Cylinder Options

- 7x7, Classic, Interactive® MT5® platforms
- Keyed different, keyed alike
- Master keyed

#### Standard

Security grade GEN 3



Padlock		A	B	C	D	E	F
G-47	mm	47	51	25	8	26.5	21
	Inch	1.850	2.007	0.984	0.314	1.043	0.826
G-55	mm	55	54	29	10	27	22
	Inch	2.165	2.125	1.141	0.393	1.062	0.866
G-60	mm	60	55	30	12	27	26
	Inch	2.362	2.165	1.181	0.472	1.063	1.024